

KugooKirin G3

USER MANUAL

EN



Thank you for purchasing KUGOO KIRIN G3 Electric scooter

In order to ensure safety of you and others, please read the instruction before you use it.

There might be slightly different between the product and the picture

Catalogue

1.Basic information

- 1.1 Important information
- 1.2 Safety warning
- 1.3 Scrap disposition
- 1.4 Product standard

2.Product introduction

- 2.1 Packing List
- 2.2 Diagram of KUGOO KIRIN G3
- 2.3 Button information
- 2.4 Display information

3.Fold and assemble the E-scooter

- 3.1 Assembly of handlebar
- 3.2 Assembly of rear fender
- 3.3 Kickstand of E-scooter
- 3.4 Fold and unfold the E-scooter

4.Battery charge

- 4.1 How to charge
- 4.2 Battery standard

5.Usage

- 5.1 Riding teaching
- 5.2 Practice guidelines

6.Cleaning and maintenance

- 6.1 Cleaning
- 6.2 Storing
- 6.3 Transport


7.Maintaining

Basic information

This instruction is including the function, usage and maintaining of the G3. Please prepare your purchase information before contacting the customer service, because it is needed during the process.

Purchase Data: _____

Scooter Code: _____ (on the bottom of the scooter)

 please obey the rules in this instruction

1.1 Important information

You must obey the law when riding the e-scooter. Users have to take risks and responsibilities. It includes, but are not limited to muscle injuries, fractures, lacerations, serious injuries and death, and other risks that may be associated with the riding of the e-scooter.

 Make sure to wear the protective sets(helmet, elbow pads, knee pads, ect.)

1.2 Safety warning

- ⚠ Safely dispose the package. It is dangerous for kids and pets.
- ⚠ Checking the wholeness of the product, If any parts are missing, please contact the seller.
- ⚠ If there is any damaged, please don't use it.
- ⚠ Please use the standard charger.
- ⚠ Look after your kid if he or she rides the e-scooter.
- ⚠ Only use the components from our company.
- ⚠ Be careful with the electricity. No water or liquid contacted.
- ⚠ Use a dry cloth to remove dust. Do not spray liquid onto product.
- ⚠ Do not immerse the product, any of its components or accessories in water.
- ⚠ Do not use on the stairs.
- ⚠ The e-scooter could only take one person.
- ⚠ Cover the product to prevent dust. Do not store it in a dusty environment, which may cause damage.
- ⚠ Do not ride in areas with fire hazards.

1.3 Scrap disposition

Do not burn, bury or drop the e-scooter with the household garbage. If the battery is broken or got fire, It will cause danger and environment pollution. Please obey the rules and dispose it carefully.

1.4 Product standard

Items	Details	Parameters
Specification	Folded Size	1200 x 660 x 550mm
	Unfold Size	1200x 660x 1290mm
	Net Weight	25±1kgs
Product performance	Maximum load	100kgs
	Grade ability	≤20%
	Suitable terrain	Smooth road, slope less than 20%
	Operating temperature	25°C
	Storage temperature	-10°C to 50°C
Speed and mileage	Maximum speed	55 km / h
	Cruising distance	60km (load: 65kg Battery:18Ah)/45km (load: 65kg Battery:15Ah)
Tyre	Front tyre	10.5-inch
	Rear tyre	10.5-inch
Battery Parameter	Type	18650 Rechargeable lithium ions/18650
	Battery protection type	Overcharge, over discharge, overheat automatically shut down
	Voltage and current	52V 18Ah/48V 15Ah
	Total Power	936Wh/720Wh
Charger parameters	Input voltage	AC100-240V 50/60Hz
	Output voltage	DC 58.8v 2a/DC 54.6v 2a
	Charging Time	10~12Hours

The actual parameters shall be subject to the physical objects received

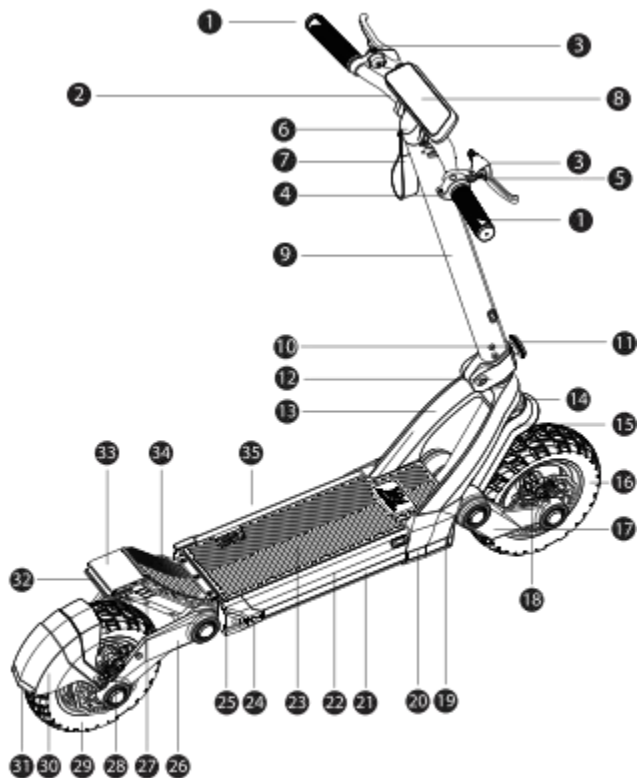
Product introduction

2.1 Packing List

- G3 e-scooter x1
- Charger x1
- Instruction x1
- Setting Tool x1

2.2 Diagram of KUGOO KIRIN G3

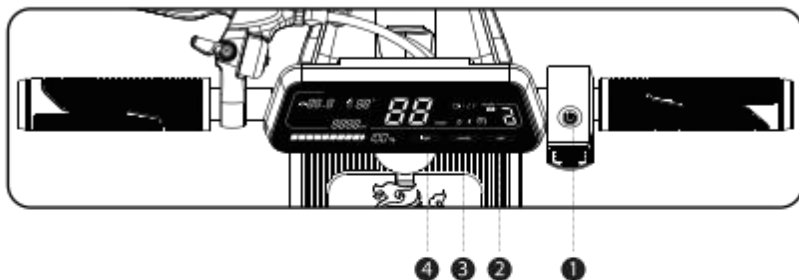
- | | |
|-------------------------|---------------------------|
| ① handle bar | ①9 front light |
| ② steering bar | ②0 side reflector |
| ③ braking & bell | ②1 side light cover |
| ④ accelerator | ②2 deck |
| ⑤ power Button | ②3 foot pedal |
| ⑥ handlebar base | ②4 DC IN |
| ⑦ locking ribbon | ②5 rear deck cover |
| ⑧ display | ②6 rear suspension |
| ⑨ steering pole | ②7 rear deck bottom cover |
| ⑩ folding screw | ②8 rear disc brake |
| ⑪ front reflector | ②9 rear wheel |
| ⑫ folding bar | ③0 rear fender |
| ⑬ front axel | ③1 rear reflector |
| ⑭ front suspension base | ③2 tail light |
| ⑮ front fender | ③3 rear deck |
| ⑯ front wheel | ③4 rear foot pedal |
| ⑰ front suspension | ③5 kickstand |
| ⑱ front disc brake | |



2.3 Button information

G3 have different parts of the display, you have to know them before your riding.

- 1 ON/OFF button: Power ON single click, Power OFF long press, single click ON/OFF button to switch on/off head light while scooter's power on
- 2 SET: Single click to switch units (miles & kilometers) long press to switch on/off foot push
- 3 MODE: Single click to change speed mode (1-2-3-1) Long press to open and close the cruise control
- 4 Light: Click to switch different light modes



2.4 Display instructions

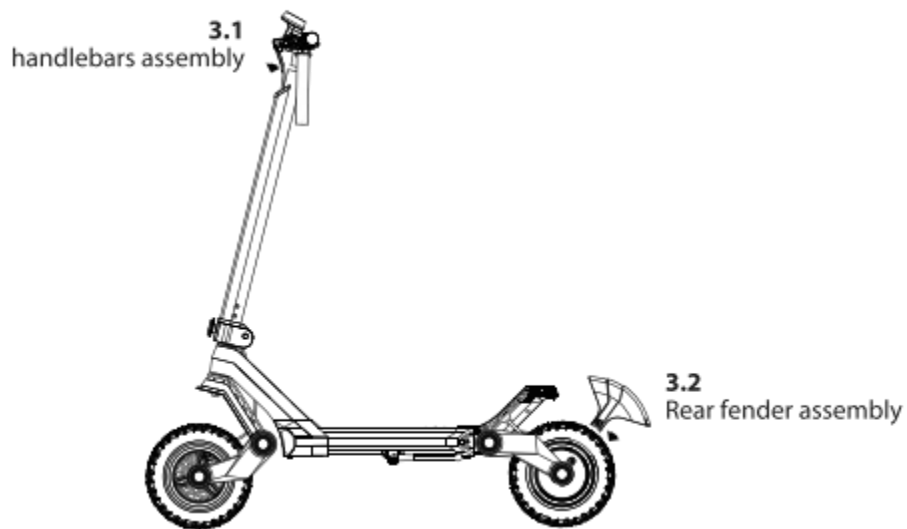
- | | |
|---------------------------------|--|
| 1 Real-time current | 9 Bluetooth |
| 2 Temperature | 10 Setting button/
speed mode setting |
| 3 Speed | 11 Setting button/
headlight |
| 4 Headlight status | 12 Total mileage |
| 5 Start mode | 13 Battery |
| 6 Speed mode | 14 Real-time Voltage |
| 7 Setting button/
start mode | |
| 8 Cruise riding | |



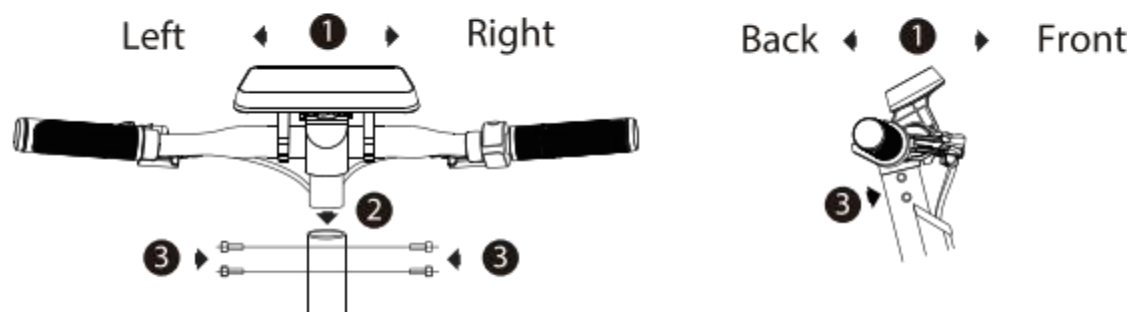
If there is no power please stop and turn off the power.

Fold and assemble the scooter

Please ensure that the power of G3 has been turned off before assembling the scooter.
Most of the parts have been assembled before leaving the factory. A few parts are required to be assembled before riding.



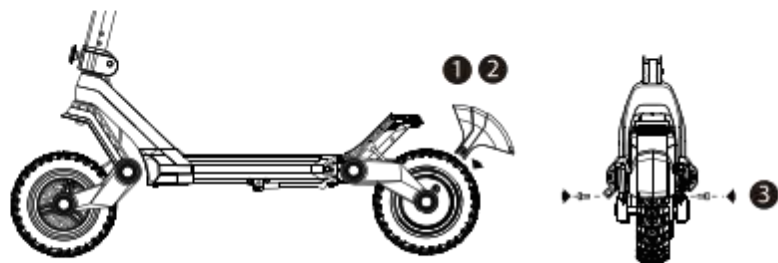
3.1 Handlebars assembly



- 1 Following the shown image, to adjust direction of the handlebar faucet.
Make sure the brake in left side facing forward, thumb accelerator in right side facing backward.
- 2 Align & insert the mounting base in the faucet fixing seat.
- 3 Adjust the direction and fix it with four screws.

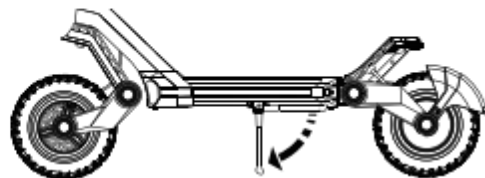
3.2 Kickstand of E-scooter

- 1 Insert rear fender into the installation position where has the left and right suspension arms.
- 2 Pay attention to the left and right direction, Only with correct direction the rear fender can be inserted normally.
- 3 Just screw it tightly.



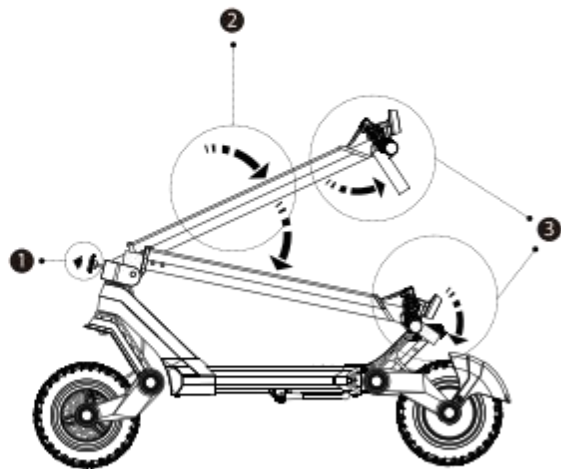
3.3 Kickstand of E-scooter

- 1 Find the kickstand beside the pedal
- 2 Push the kickstand down



3.4 Fold the scooter

- 1 Loosen the folding set screw until the screw is out of the fold
- 2 Put down the steering pole.
- 3 Hang the locking ribbon to the bottom of the rear pedal



To unfold the scooter, please follow the above steps vice versa

Battery charge

⚠ Please charge the scooter before use.

4.1 How to charge

- 1 Turn off the scooter before you start to charge.
- 2 Find the charging port and insert charger into the socket.
- 3 Use the right charger.
- 4 The light will be red while charging.
- 5 The light will be green when charging completed.

⚠ If it is the first charge, please charge the E-scooter at least 12 hours before using.

⚠ Under no circumstances should you use a scooter while charging.

⚠ Do not charge for longer than necessary. The standard charging time is about 12 hours (18ah battery).

⚠ Charging too long can affect battery life and performance.

⚠ To extend battery life, charge it at least every two months.

4.2 Battery standard

Components	Parameter
Type of the battery	Rechargeable lithium ions
Charging time	10~12hours
Voltage	52V/48V
Battery capacity	18Ah/15Ah
Operating temperature	-10°C to 40°C
Charging temperature	5°C to 45°C
Storage temperature	-20°C to 50°C
KWh	936Wh/720Wh
Protection	Overcharge, overdischarge, overheat automatically shut down

Chapter 5

Usage

Before riding the G3, please read the following information.

- ⚠ You have to wear the helmet and other protective clothing.
- ⚠ Only under 100Kg are allowed.
- ⚠ Obey the local law.
- ⚠ The G3 contains the motor, which may be classified as a motor vehicle according to your local regulations. It is your responsibility to comply with local regulations.

5.1 Riding teaching

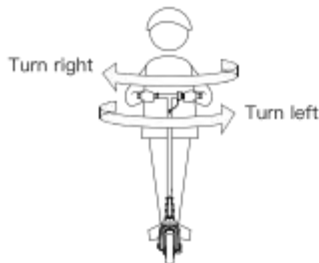
Suppose you are wearing appropriate protective gear and have placed your scooter on a level road with sufficient power, follow these steps.



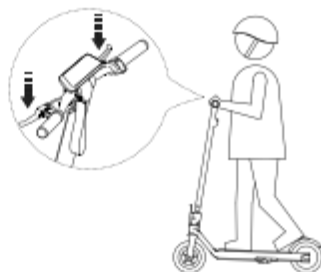
Hold the handlebars with your hands and put your right foot on the deck. With little left foot push(5km/h) to engine scooter and Right hand triggers the accelerator for riding.



Keep your body and scooter balanced by looking straight ahead



Turn the handle with both hands.



To slow or stop the scooter, release trigger and hold the handbrake.


Leave one foot on ground to keep the balance after scooter stopped.

⚠ To turn off the scooter, please press the turn off button for 3 seconds after scooter stopped.

5.2 Practice guidelines

Please practice riding until you can easily use all scooter functions. See the tips below.

- Avoid passing through anything that may stick on or stuck in the wheels.
- Wear fat shoes for flexibility and stability.
- Keep practising until you can easily get on, forward, turn, stop and get off.
- Riding on the road with a 20 degree slope is OK for G3, but not recommended.
- G3 is preferred to relatively fat road conditions.
- Do not ride on slopes, pedestrians or obstacles until you are proficient with the scooter.

 The G3's weight is about 25 KGs. Remember to fold the scooter before you pick it up.

Cleaning and maintenance

6.1 Cleaning

After long time riding, you need to clean it to ensure the G3 works well.

- ⚠ Turn off the scooter before cleaning.
- ⚠ Use dry cloth to scrub it.
- ⚠ Avoid contacting from liquid.
- ⚠ Do not use alcohol and detergent.
- ⚠ Do not spray the liquid directly on any part of the scooter.

6.2 Storing

To store G3, please follow the below instructions:

- ⚠ Please charge it before you store it.
- ⚠ Charge it every 2 month.
- ⚠ Cover G3 to prevent dust.
- ⚠ Do not store it in a dusty or moisture environment, which may cause damage.

6.3 Transport

Close and fold the scooter before moving, lifting, or transporting it (see section 3.4 for instructions).

- ⚠ When lifting the whole scooter, please note the weight of G3 is about 25KGs.

Maintaining

Your G3 electric scooter is warranted to the original owner for one year from the date of purchased against defects in material and workmanship under normal use and service.

This warranty gives you specific legal rights and you may have other rights depending on local laws. This warranty lasts for one year from the date of purchase.If the product is repaired or replaced, the warranty period will not be extended.This warranty only covers technical hardware defects under normal use conditions during the warranty period.

Guarantee does not include

(a)transport (b) store (c)usage (d)don t obey the instruction (e)change (f)repair without authorization (g) abrasion (h)accident

Statement: we are not responsible for the accidental use of this product and its liability will not exceed the purchase price of the product in any condition.

